

BROTHER 9970

Date:11/02/2012 ID:faq000703_004

[Print](#) | [Close](#)**Title:****Drum Error (Drum!)****Description:**

Follow the steps below to clear the message:

- • The corona wires have become dirty. Clean the corona wires in the drum unit.
Click here to see how to clean the corona wires.

- The drum unit or the toner cartridge and drum unit assembly is not installed correctly.
Reinstall the toner cartridge and drum unit assembly.
 - Click here to see how to reinstall the toner cartridge.
 - Click here to see how to reinstall the drum unit.

- If the issue still continues, the drum unit is at the end of its life. Replace the drum unit with a new one.
Click here to see how to replace the drum unit.

[Print](#) | [Close](#)

© 2001-2014 Brother Industries, Ltd. All Rights Reserved.

Any trade names and product names of companies appearing on Brother products, related documents and any other materials are all trademarks or registered trademarks of those respective companies.

BROTHER 9970

Date:10/15/2010 ID:faq000208_029

[Print](#) | [Close](#)

Title:

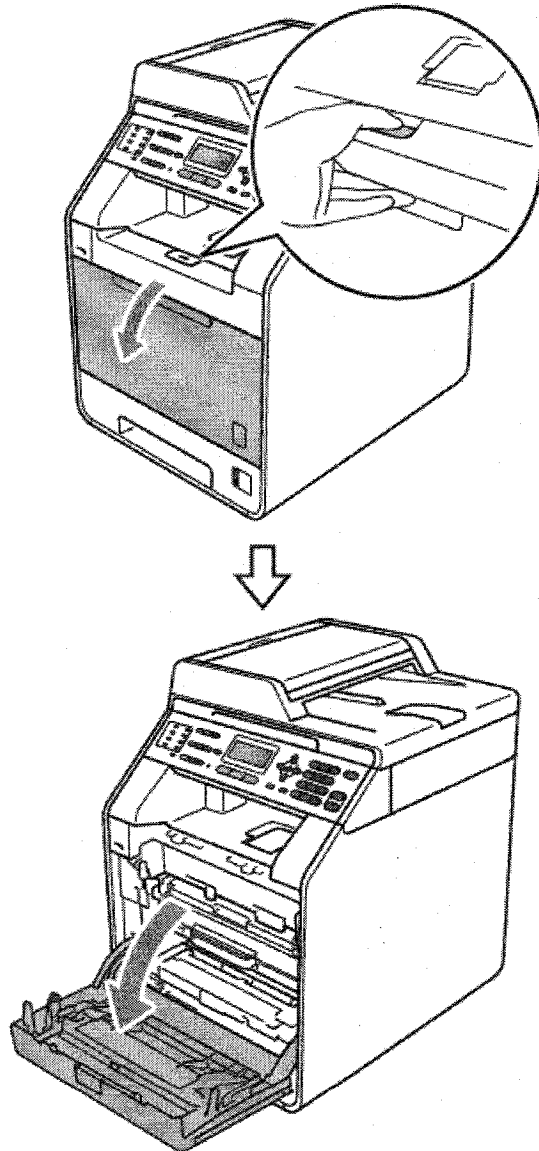
Clean the corona wire

Description:

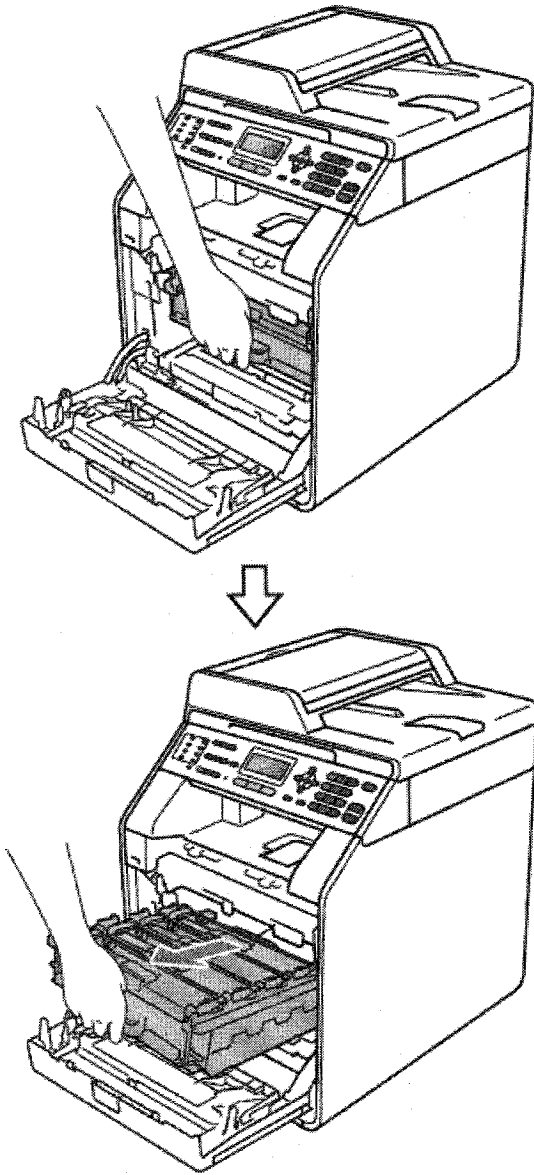
Follow the steps below to clean the corona wire.

NOTE: Illustrations shown below are from a representative product and may differ from your Brother machine.

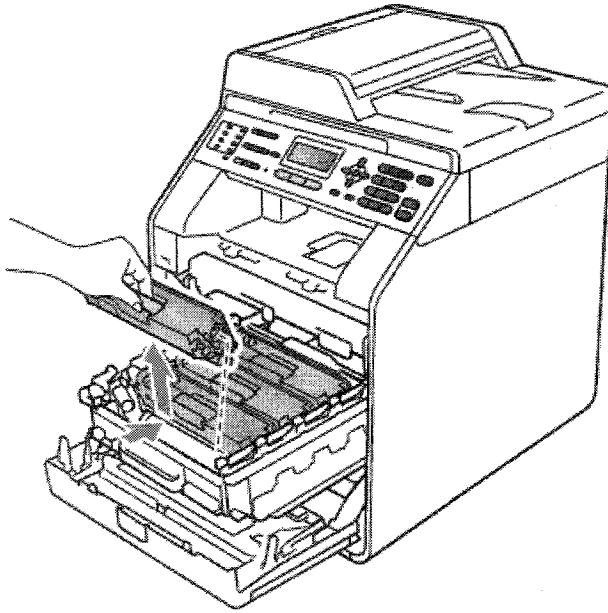
1. Press the front cover release button and then open the front cover.



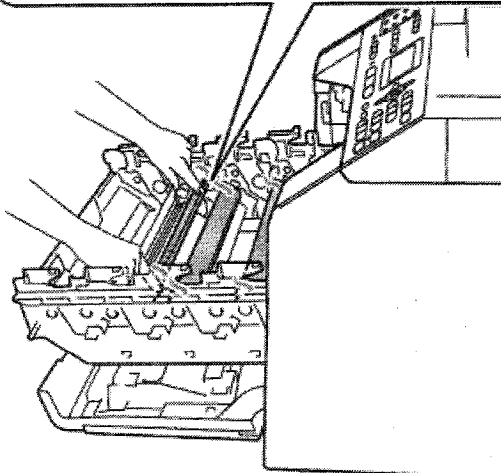
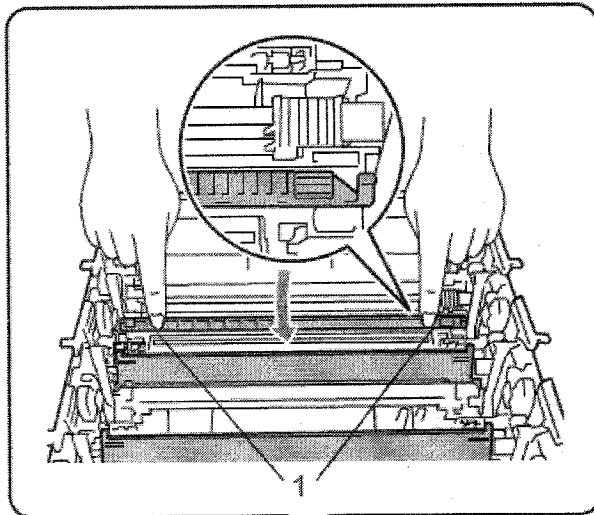
2. Hold the green handle of the drum unit. Pull the drum unit out until it stops.



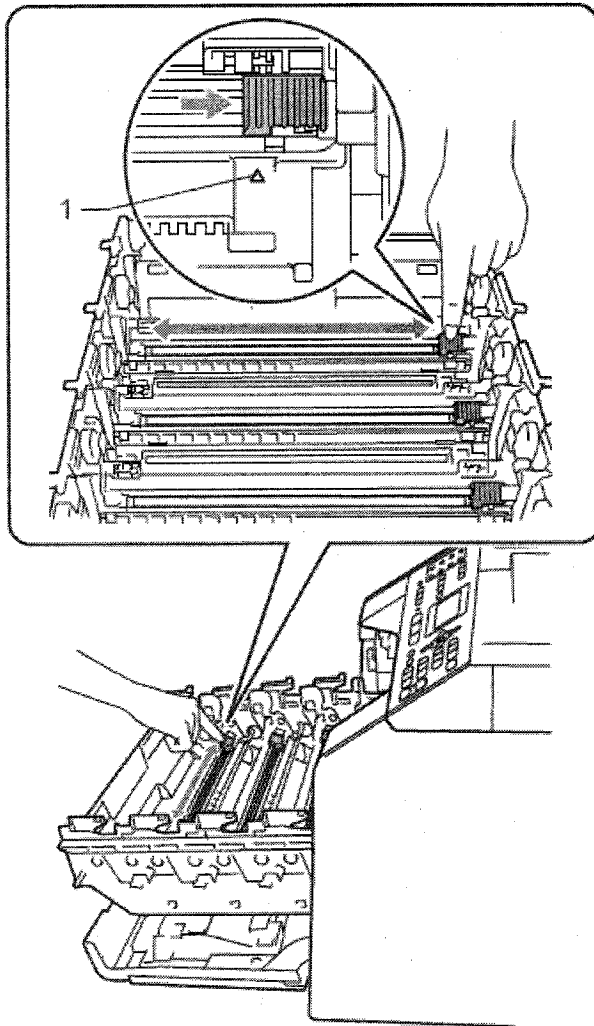
3. Hold the handle of the toner cartridge and slightly push it toward the machine to unlock it. Then pull it out of the drum unit. Repeat this for all the toner cartridges.



4. Push to release the latches of the corona wire cover (1), and then open the cover.

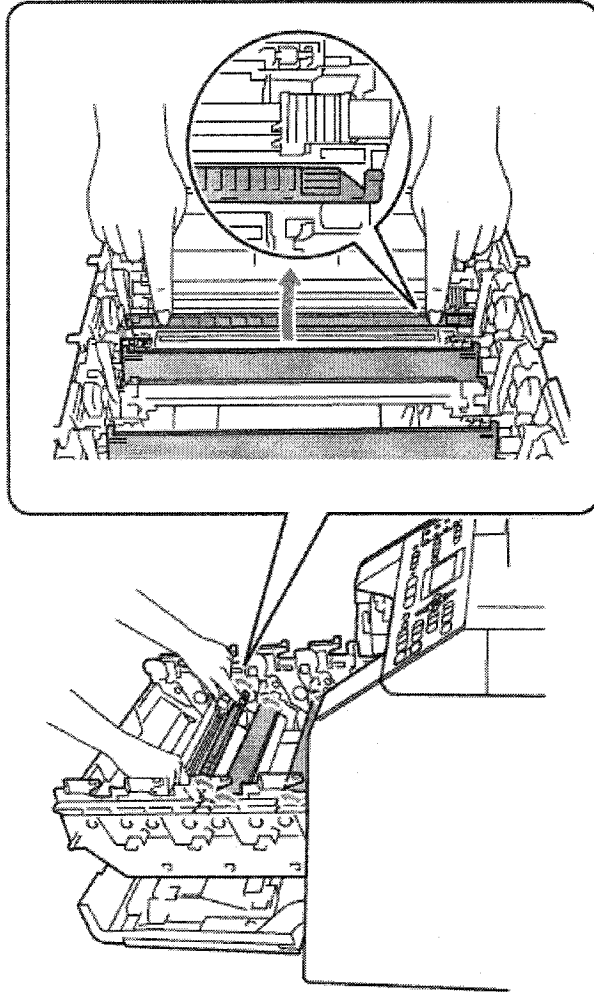


5. Clean the corona wire inside the drum unit by gently sliding the green tab from left to right and right to left several times.



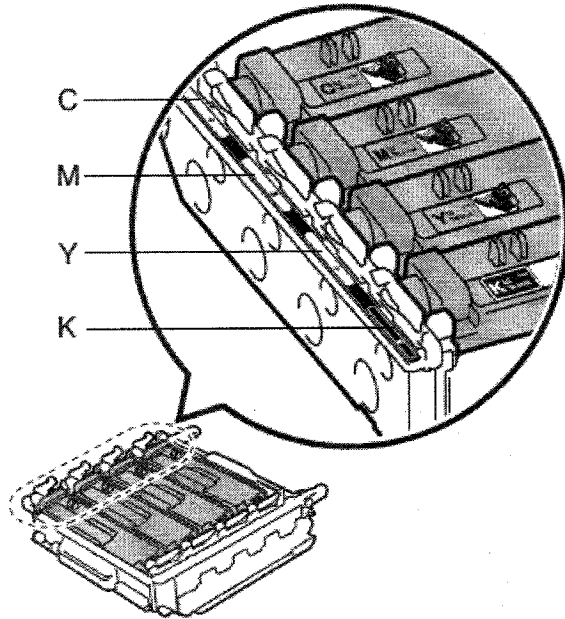
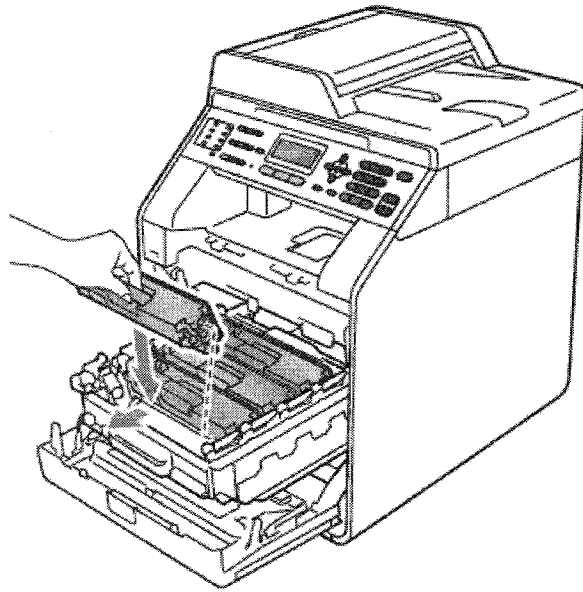
Be sure to return the tab to the home position (1). If you do not, printed pages may have a vertical stripe.

6. Close the corona wire cover.



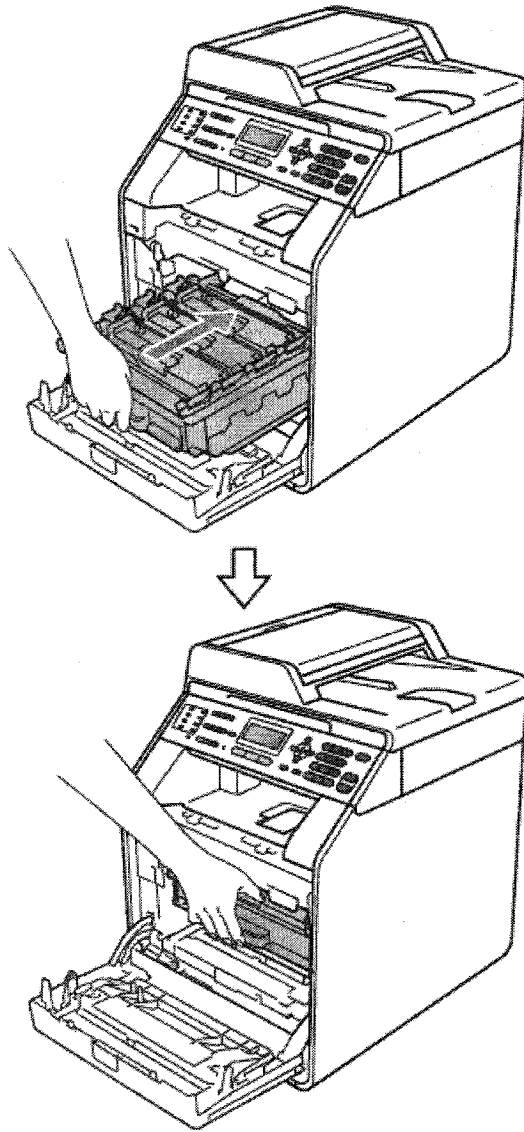
7. Repeat steps 4 to 6 to clean each of three remaining corona wires.

8. Hold the handle of the toner cartridge and slide the toner cartridge into the drum unit, then slightly pull it toward you until you hear it click into place. Make sure that you match the toner cartridge color to the same color label on the drum unit. Repeat this for all the toner cartridges.



C-Cyan M-Magenta Y-Yellow K-Black

9. Push the drum unit in until it stops.



10. Close the front cover of the machine.

[Print](#) | [Close](#)

© 2001-2014 Brother Industries, Ltd. All Rights Reserved.

Any trade names and product names of companies appearing on Brother products, related documents and any other materials are all trademarks or registered trademarks of those respective companies.